



Process Automation



Process Automation

Level Sensors | Level Switches | Overfill Prevention
Pressure Sensors | Temperature Sensors

Sensors and Systems: www.fafnir.com



Accurate



Flexible



Reliable

HPH Ex d

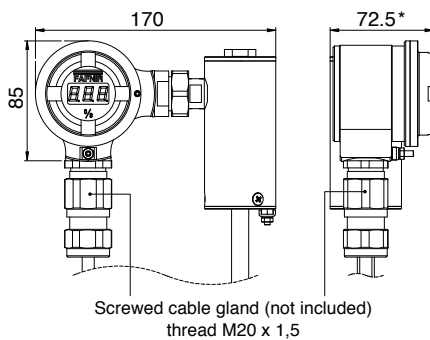
High Pressure Connection Housing for the TORRIX and CONDURIX

The HPH Ex d is pressure-resistant, encapsulated connection housing with safety barriers for connecting our intrinsically safe sensors without an additional Ex separator.



Main Features and Benefits

- + On-site display for level indication
- + 10 mm LED, adjustable display
- + Easy to install
- + Intrinsically safe power supply for Ex-Zone 0
- + ATEX and IEC Ex approval
- + Robust design



* with display: 72.5
without display: 65.5

HPH Ex d – Technical data

Operating data

Ambient temperature	-0 °C to +85 °C
Protection class	IP68
Power supply	21 to 26 V without display; 21 to 29 V with display
Voltage drop	8 V without display (Ex); 11 V with display (Ex); 4 V with display
Accuracy	0.1 % (4 to 20 mA)
Display	3-digit display; 10 mm; 0.0 % (4 mA) to 100 % (20 mA)
Display range	-9.9 % to +199 %





FAFNIR GmbH
Schnackenburgallee 149 c
22525 Hamburg, Germany
Phone: +49/40/39 82 07-0
Fax: +49/40/390 63 39
E-mail: info@fafnir.com
Internet: www.fafnir.com

Sensors & Systems Worldwide: www.fafnir.com