

VISY-X

VISY-View Touch



Version: 6
Edition: 2021-01
Art. no.: 350055



© Copyright:

Reproduction and translation is only permitted with the written consent of the FAFNIR GmbH. The FAFNIR GmbH reserves the right to carry out product alterations without prior notice.

Table of contents

1	Properties	1
2	Safety instructions.....	2
3	Design and function description	3
3.1	Display	4
3.2	Interfaces	4
4	Installation.....	5
4.1	Wall mounting	5
4.2	Mounting bracket (option)	5
4.3	Desktop bracket (option).....	6
5	Commissioning.....	7
5.1	Initial start-up	7
6	Operation.....	9
7	Technical data.....	10
8	List of figures	10
9	List of tables.....	10
10	Appendix.....	11
10.1	EC Declaration of Conformity	11

1 Properties

VISY-View Touch is an optional part of the VISY-X system (volume information system).

With the VISY-X system, highly precise, continuous level measurements in up to 16 tanks are carried out directly at the petrol station. The product temperature and the water level are gauged simultaneously. As an extension, other environmental sensors can be connected.

VISY-View Touch can be used for viewing tank data as an alternative or supplement to a petrol station computer.

The display component is a TFT colour screen. All functions are accessible using the touch screen user interface.

VISY-SoftView Touch provides the capability to view current tank data, delivery data and the various alarms signalled by the VISY-Command control unit. Alarms are signalled visually by the display module and also audibly by a buzzer. As an option, a printer can be connected to the serial port.

The display module receives all its configuration data, alarms and product data from the VISY-Command control unit, which means that no special settings or configurations are needed for set-up. The control unit must have been configured using the VISY-Setup configuration program first, see:



Technical Documentation VISY-Setup V4..., art. no. 207158

In addition, it is particularly useful to the fuel tanker driver, who will be able to read tank levels before refuelling the petrol station.

2 Safety instructions

The VISY-X system is used for measuring and evaluating the levels of petroleum fuels in petrol station tanks. The system must be used exclusively for this purpose. The manufacturer accepts no liability for any form of damage resulting from improper use!

The VISY-View Touch has been developed, manufactured and tested in accordance with the latest good engineering practices and generally accepted safety standards. Nevertheless, hazards may arise from its use. For this reason, the following safety information must be observed:

- Do not change or modify the system or add any equipment without the prior consent of the manufacturer.
- To connect VISY-View Touch to the power supply, exclusively the included AC/DC adapter must be used.
- Only use original spare parts. These comply with the technical requirements specified by the manufacturer.
- The installation, operation and maintenance of the VISY-View Touch must be carried out only by expert personnel.
- Operators, installers and service technicians must comply with all applicable safety regulations. This requirement shall also apply to local safety and accident prevention regulations not expressly referred to herein.
- VISY-View Touch is not suitable for outdoor installation. VISY-View Touch is only determined for using within the VISY-X system and must always be undamaged and clean.

The safety instructions in this manual are labelled as follows:



Failure to observe these safety instructions will result in a risk of accident and a risk of damage to the VISY-X system.



Useful tips and information in these instructions that should be observed are in italics and identified by this symbol.

3 Design and function description



- 1 Display with touch function (touch screen)
- 2 Casing cover
- 3 Locking Screw
- 4 Unlock button

- 5 AC/DC adapter port
- 6 RS-485 VISY-Command interface
- 7 RS-232 printer interface
- 8 Blind plug

Figure 1: VISY-View Touch front

3.1 Display

The display is a TFT colour screen with touch function (touch screen). The readout depends on the configuration and the number of tanks, etc. The functions of the program are executed by touching the screen.



The touch screen must be operated only by finger or by means of a stylus designed for this purpose. The use of pointed objects (e.g. screwdrivers, pens) may cause damage to the touch screen.

3.2 Interfaces

VISY-View Touch is equipped with the following interfaces (see Figure 1 and 2):

- Port for the included AC/DC adapter
- RS-485 interface for connecting to the control unit VISY-Command
- RS-232 interface (D-sub 9-pin) for connecting to a printer



As a printer, a thermal printer with 32 columns and serial interface is provided. The printer is available as an option at the company FAFNIR. For configuration of the printer see:



Technical Documentation VISY-SoftView (English) – Art. no. 350026

4 Installation

The VISY-View Touch is suitable for wall mounting and also intended to use as a desktop unit.

4.1 Wall mounting

For wall mounting, open the casing cover and mark the mounting points on the intended position on the wall. Drill the holes and mount the device.



To open the casing cover loose the locking screw by turning it counterclockwise and press the unlock button.

4.2 Mounting bracket (option)

For wall mounting there is an optional mounting bracket available. Attach the mounting bracket accordingly to the following figure.

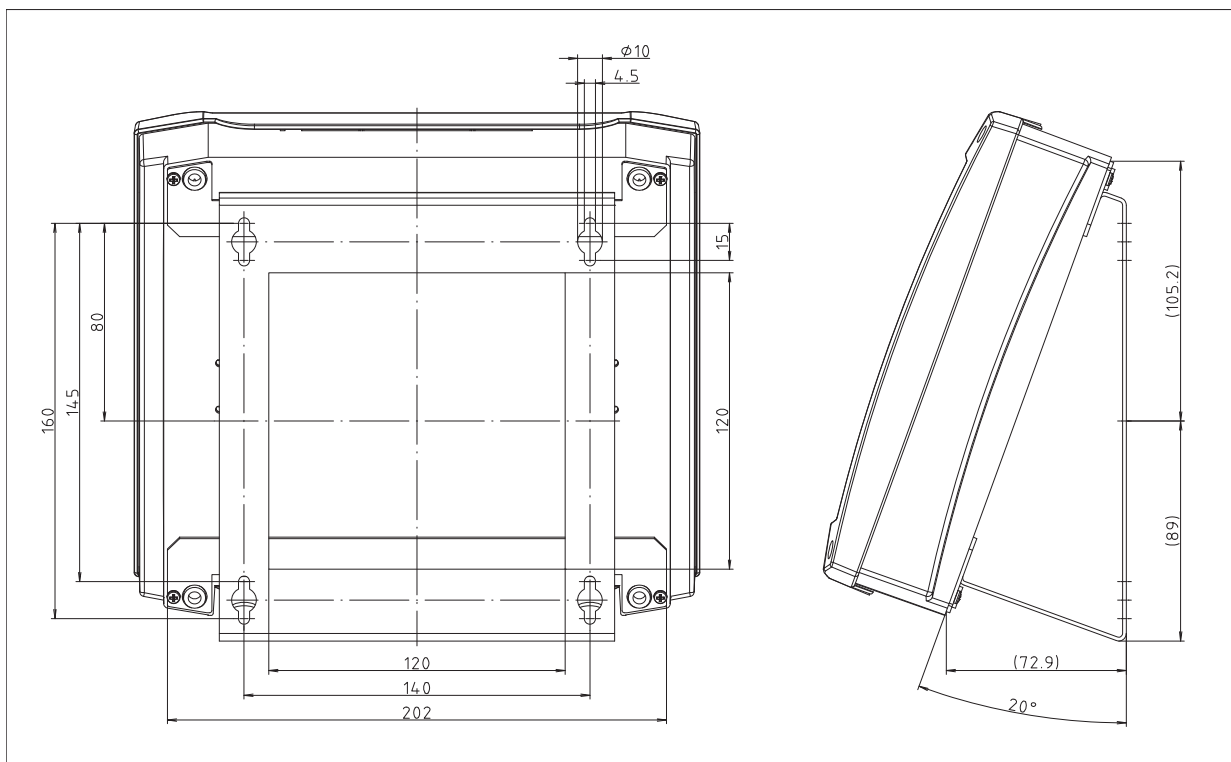


Figure 2: Mounting bracket dimensions (option)

4.3 Desktop bracket (option)

For use as a desktop unit, VISY-View Touch can be equipped with an optional desktop bracket.

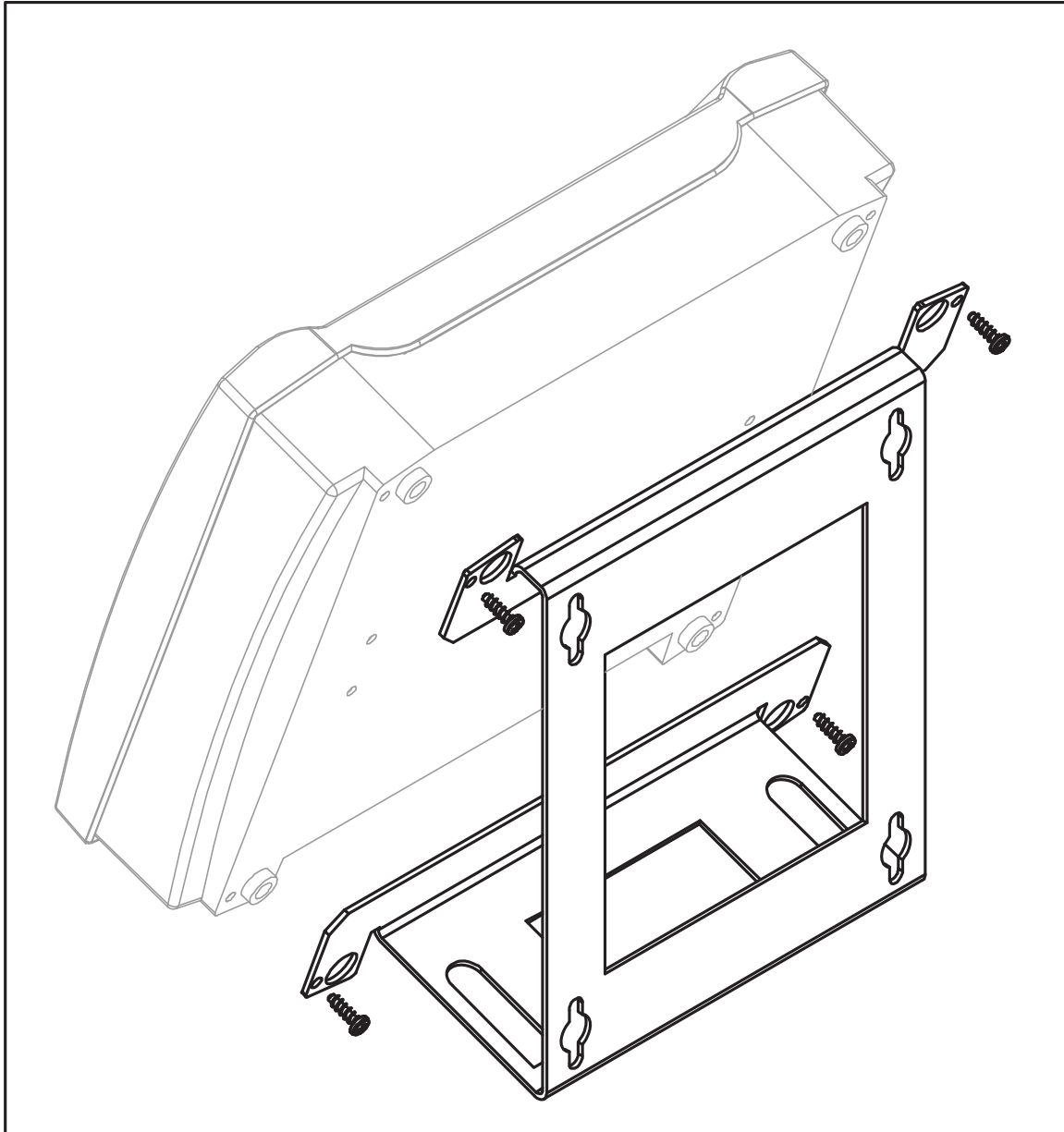


Figure 3: Desktop bracket (option)

5 Commissioning

5.1 Initial start-up

To start up the VISY-View Touch proceed as follows:

- (1) The VISY-View Touch is connected to the extension interface of the VISY-Command control unit according to the following table:

Interface ports


1	2	3	4	5	6	7	8	9
RxD	TxD	⊥	A+	B-	⊥	A+	B-	PE
RS-232			RS-485		RS-485			
Host					Extension			

Table 1: VISY-Command extension interface

Configure the VISY-Command interfaces with the VISY-Setup configuration software, see:



Technical Documentation VISY-Setup V4... (English) – Art. no. 207158

For use of the extension interface of the VISY-Command, the function "extension interface" must be activated.

- (2) To connect the VISY-View Touch, use the supplied 3-pin connector (see Figure 4) and the associated connector housing.

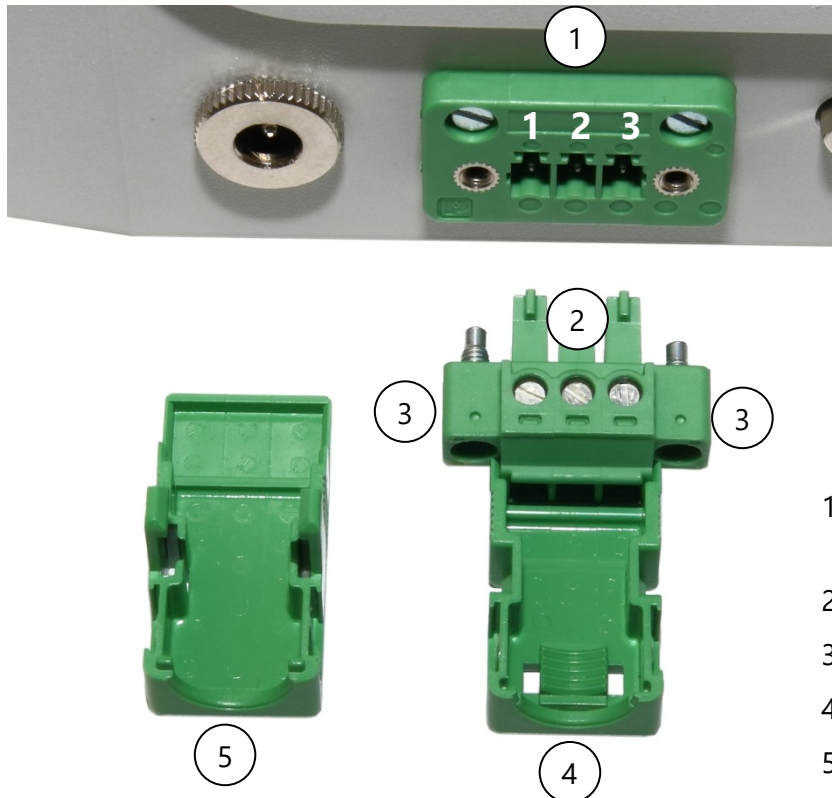
Connect the RS-485 interface of the VISY-View Touch with the extension interface of the VISY-Command according to the following table:

VISY-View Touch RS-485	VISY-Command Extension interface	Signal
1	7	A+
2	6	GND
3	8	B-

Table 2: VISY-View Touch RS-485 interface

The connector housing comprises of a base body on which the connector sits, and the cover that snaps on the base body.

The supplied cable tie serves as strain relief. It aims to secure the cable to the base body of the connector housing. Use the side screws of the connector housing to securely fix the connector to the VISY-View Touch.



- 1 RS-485 VISY-Command interface with numbering of the contacts
- 2 Connector (3 pin)
- 3 Side screws
- 4 Connector housing (base body)
- 5 Connector housing (cover)

Figure 4: Connector

- (3) Optionally connect a printer to the 9-pin D-Sub plug connector.
- (4) Connect the included AC/DC adapter to the power supply port of the VISY-View Touch (see Figure 1) and to the mains.
- ⚠ *To connect VISY-View Touch to the power supply, exclusively the included AC/DC adapter must be used.*
- (5) The VISY-View Touch now is operational.

6 Operation

VISY-View Touch is operated via the software VISY-SoftView, see:



Technical Documentation VISY-SoftView (English) – Art. no. 350026

7 Technical data

Display	7" colour touch screen with embedded micro-computer and software VISY-SoftView
Alarm signalling	Display and buzzer
Power supply	AC/DC adapter (included in the scope of delivery)
Ambient temperature	0 °C ... +60 °C
RS-485 interface	Communication with VISY-Command, not galvanically isolated, 3-pin
RS-232 interface	Printer port, 9-pin, D-Sub male connector
Dimensions [mm]	H 205 x W 230 x D 80

8 List of figures

Figure 1: VISY-View Touch front.....	3
Figure 2: Mounting bracket dimensions (option)	5
Figure 3: Desktop bracket (option).....	6
Figure 4: Connector.....	8

9 List of tables

Table 1: VISY-Command extension interface.....	7
Table 2: VISY-View Touch RS-485 interface	7



**EU-Konformitätserklärung
EU Declaration of Conformity
Déclaration UE de Conformité
Dichiarazione di Conformità UE**



FAFNIR GmbH, Deutschland / Germany / Allemagne / Germania

erklärt als Hersteller in alleiniger Verantwortung, dass die Produkte
declares as manufacturer under sole responsibility that the products
déclare sous sa seule responsabilité en qualité de fabricant que les produits
dichiara sotto la sola responsabilità del produttore, che i prodotti sono

**Anzeigen / Displays / Affichages / Display
SECON-... & VISY-View Touch**

den Vorschriften der europäischen Richtlinien
comply with the regulations of the European directives
sont conformes aux réglementations des directives européennes suivantes
rispetta i regolamenti delle direttive europee

2011/65/EU	Beschränkung der Verwendung bestimmter gefährlicher Stoffe in Elektro- und Elektronikgeräten	RoHS
2011/65/EU	Restriction of the use of certain hazardous substances in electrical and electronic equipment	RoHS
2011/65/UE	Limitation de l'utilisation de certaines substances dangereuses dans les équipements électriques et électroniques	RoHS
2011/65/UE	Restrizione dell'uso di determinate sostanze pericolose nelle apparecchiature elettriche ed elettroniche	RoHS
2014/30/EU	Elektromagnetische Verträglichkeit	EMV
2014/30/EU	Electromagnetic compatibility	EMC
2014/30/UE	Compatibilité électromagnétique	CEM
2014/30/UE	Compatibilità elettromagnetica	CEM

durch die Anwendung folgender harmonisierter Normen entsprechen
by applying the harmonised standards
par l'application des normes
applicando le norme armonizzate

**RoHS / RoHS / RoHS / RoHS
EMV / EMC / CEM / CEM**

**EN IEC 63000:2018
EN 61326-1:2013**

Die Produkte sind bestimmt als Elektro- und Elektronikgeräte der RoHS-
The products are determined as electrical and electronic equipment of RoHS
Les produits sont déterminés comme des équipements électriques et électroniques de RoHS
I prodotti sono determinati come apparecchiature elettriche ed elettroniche della RoHS

Kategorie / Category / Catégorie / Categoria

**Überwachungs- und Kontrollinstrumenten in der Industrie /
Industrial Monitoring and Control Instruments /
Instruments de contrôle et de surveillance industriels /
Strumenti di monitoraggio e controllo industriali**

Die Produkte entsprechen den EMV-Anforderungen
The products comply with the EMC requirements
Les produits sont conformes aux exigences CEM
I prodotti sono conformi ai requisiti CEM

**Störaussendung / Emission / Émission / L'emissione
Störfestigkeit / Immunity / D'immunité / Immunità**

**Klasse B / Class B / Classe B / Classe B
Industrielle elektromagnetische Umgebung /
Industrial electromagnetic environment /
Environnement électromagnétique industriel /
Ambiente elettromagnetico industriale**

Hamburg, 14.01.2021

Ort, Datum / Place, Date / Lieu, Date / Luogo, data

Geschäftsführer / Managing Director / Gérant / Direttore Generale: René Albrecht

Blank page



FAFNIR GmbH
Schnackenburgallee 149 c
22525 Hamburg
Germany
Tel.: +49 / 40 / 39 82 07-0
Fax: +49 / 40 / 390 63 39
E-mail: info@fafnir.com
Web: www.fafnir.com
